



Subminiature Micro / Snap Action Switches

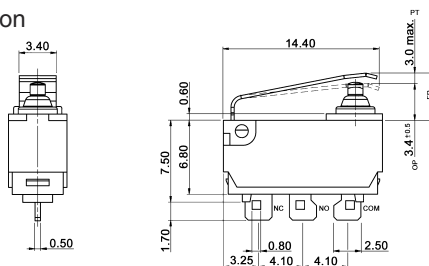
Specifications:

Contact rating:	125 V AC, 0.1 A; 48 V DC, 0.1 A; 12 V DC, 3 A
Contact resistance:	< 100 mΩ
Insulation resistance:	> 100 MΩ
Dielectric strength:	500 V, 50 Hz for the duration of 1 minute
Operating temperature:	-40 °C to +85 °C
Mechanical life:	minimum 500 000 operations
IP rating:	IP 67
Contacts:	silver-alloy
Terminals:	brass, silver-plated
Case:	PA (UL 94 V-0)
Mounting:	on pc-board, positive in case-parts
Timing:	non-shorting
Soldering conditions:	manual soldering – max. 3 sec, max. 350 °C auto-soldering – max. 5 sec, max. 260 °C

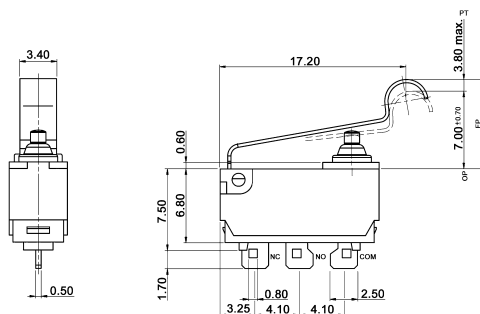
Models:

Switching function

DM-DW 1 L01 S on – mom
(operation force 220 gf max)



DM-DW 1 L05 S on – mom
(operation force 180 gf max)



DM-DW 1 L03 P15 on – mom
(operation force 250 gf max)

